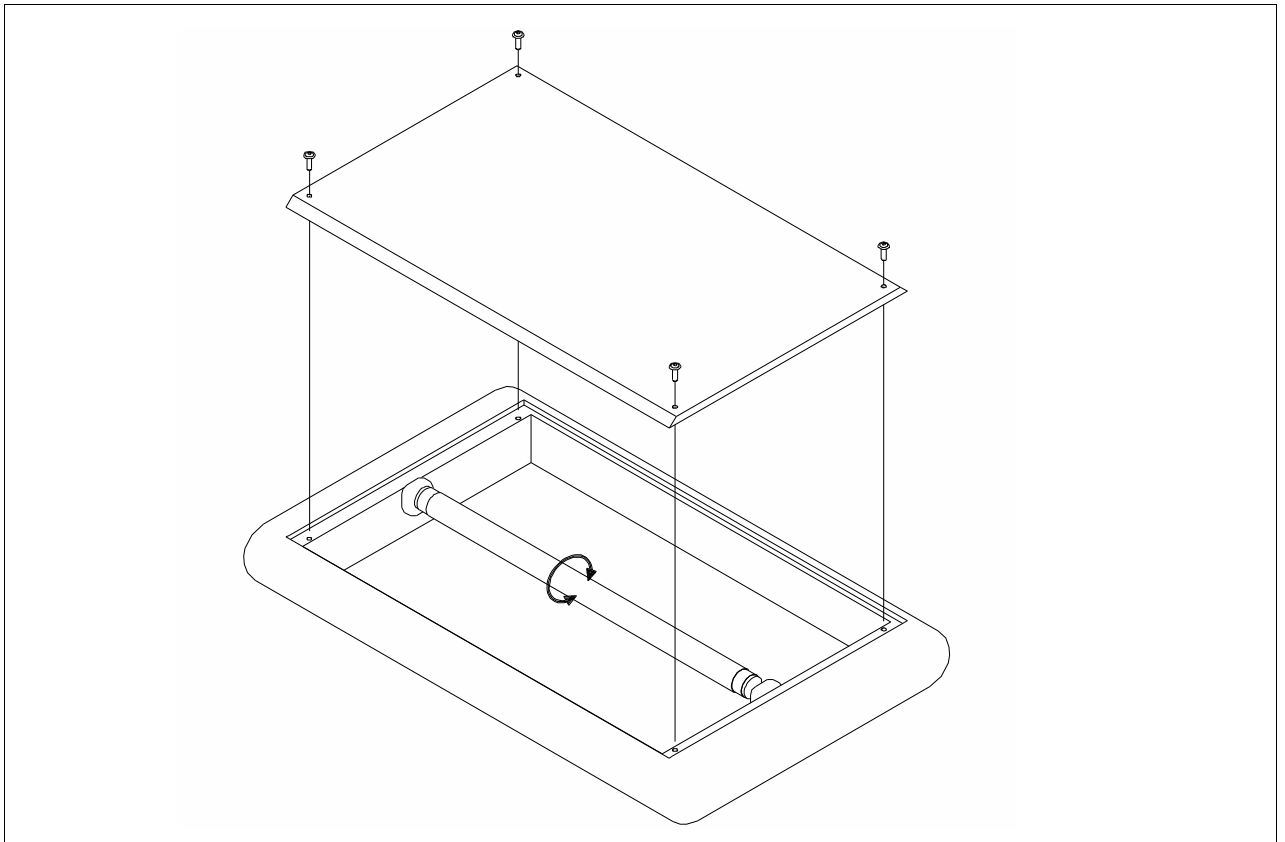




## Mini 5000 Tube Replacement



- Step 1** Remove Power Supply!!!
- Step 2** Remove 4 screws located in each of the 4 corners in rear panel.
- Step 3** Turn bulb  $\frac{1}{4}$  turn and remove
- Step 4** Replace new bulb and turn  $\frac{1}{4}$  turn to lock in place
- Step 5** Place back cover back on unit and secure with 4 screws.

**Remember to change your bulbs every 2500 hours.**

